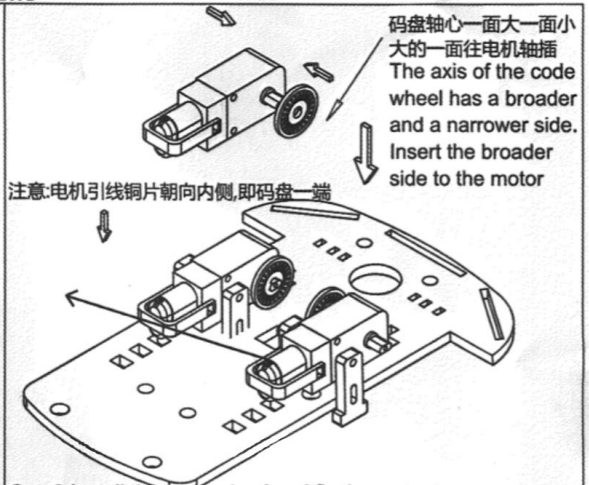


Step1:先把小车底板、紧固件、码盘的黄色保护纸撕掉,然后把紧固件插入小车底板

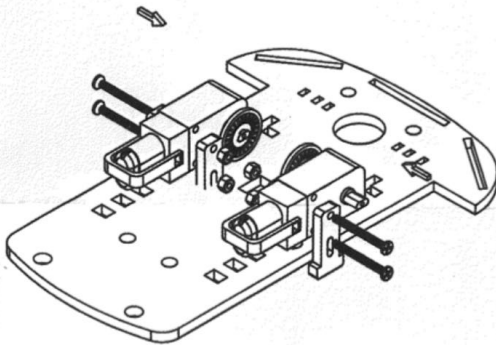
Step1:Insert the fastener into the chassis after tearing off the yellow protection wrap of the chassis,the fastener and the code wheel.



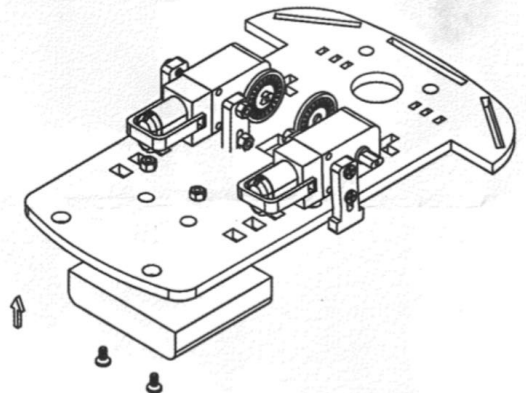
注意:电机引线铜片朝向内侧,即码盘一端

码盘轴心一面大一面小的一面往电机轴插
The axis of the code wheel has a broader and a narrower side. Insert the broader side to the motor

Step2:Install the code wheel and fix the motor to the chassis.(Attention,the copper sheet of the leading wire of the motor should face inside,the same side of the encoder)

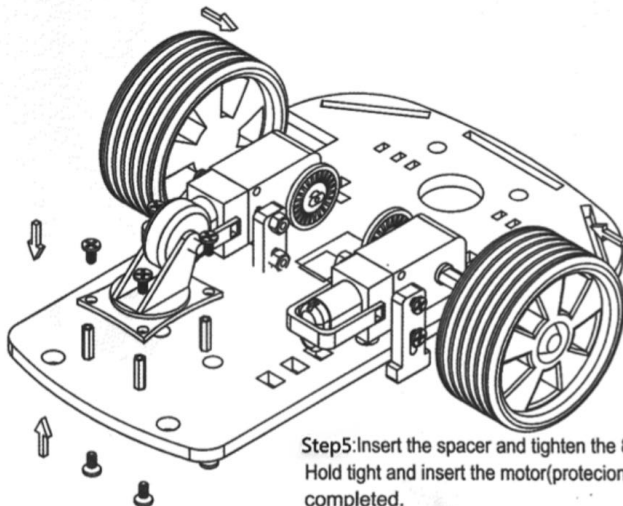


Step3:插入螺丝,把电机固定到小车底板,并拧上螺帽
Step3:Fix the motor to the chassis,then insert and tighten the screws.



Step4:插入螺丝,固定电池盒

Step4:Insert the screws and fix the battery container



Step5:Insert the spacer and tighten the 8 screws to fix the hammer caster. Hold tight and insert the motor(protection fastener) to the wheel.Installation completed.

Step5:放入铜柱,拧进8个螺丝固定万向轮,手捏住电机(保护紧固件),并往里面插入轮子,组装完成